

IDEALLY CONNECTED IN ALL ZONES

MURRELEKTRONIK CORDSETS FOR THE FOOD INDUSTRY

Processes and products in the food industry must be contamination free. That's why the requirements governing hygiene, cleanliness and corrosion protection are very high.

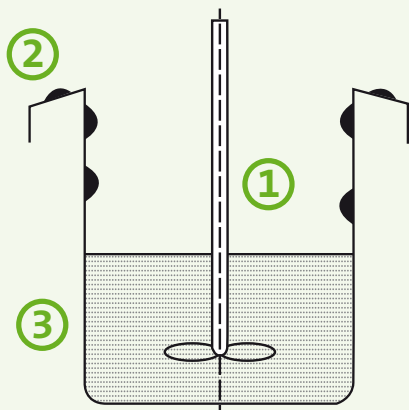
Removing dirt easily and thoroughly is a top requirement for components. This applies to the food zone (1) as well as to the spray zone (2) and the non-food or dry zone (3). Murrelektronik has cordsets for all these applications within the food industry.

MACHINE AREAS

per DIN EN 1672-2 and ISO 14159

- ① Food zone
- ② Spray zone
- ③ Non-food zone or dry zone

Zones 1 and 2 must be designed in accordance with the same hygienic design principles



COMPACT

M12 F&B PP-LINE

In areas where every component in a system comes into contact with the food being processed, then re-enters the processing operation, the cordsets must be able to satisfy each and every cleanliness requirement. The materials should neither absorb nor contaminate the product.

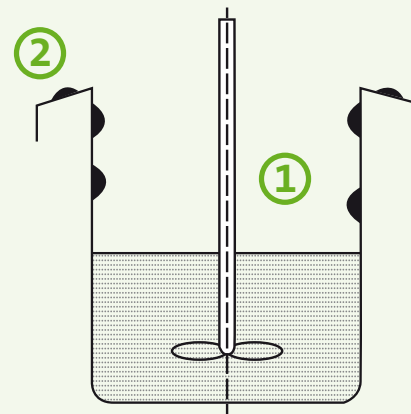
The new M12 range from Murrelektronik, made of polypropylene, fulfills the very latest requirements of the EHEDG and are therefore suitable for use in these zones.



- Produced from highly-resistant and robust polypropylene
- FDA-compliant materials
- Designed according to EHEDG requirements
- Extended temperature range of -40...+105 °C
- Resistant to high-pressure cleaners: protection class IP69K
- Ice blue jacket color helps identify any contamination
- Metal parts made of V4A stainless steel (1.4404)

RECOMMENDED FIELD OF APPLICATION

- Zones 1 and 2
- Aseptic areas (H₂O₂)
- Average cleaning processes
- Intensive use of cleaning agents



Description	Type no.
M12 connector, straight, 3-pin, open ends	7024-12001-315xxxx
M12 socket, straight, 3-pin, open ends	7024-12181-315xxxx
M12 connector – M12 socket, straight, 3-pin	7024-40001-315xxxx
M12 connector, straight, 4-pin, open ends	7024-12021-321xxxx
M12 socket, straight, 4-pin, open ends	7024-12221-321xxxx
M12 connector – M12 socket, straight, 4-pin	7024-40021-321xxxx
M12 connector, straight, 5-pin, open ends	7024-12041-339xxxx
M12 socket, straight, 5-pin, open ends	7024-12241-339xxxx
M12 connector – M12 socket, straight, 5-pin	7024-40041-339xxxx

Length xxxx in cm, all cables made of TPE-S

M12 F&B STEEL

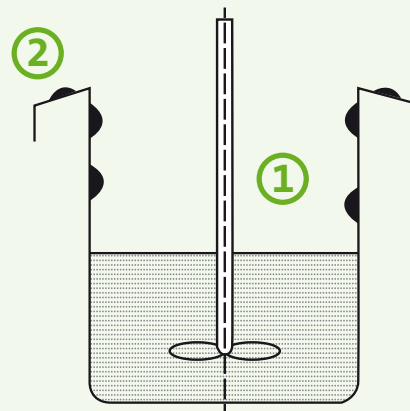


In areas where plastic connectors reach their limits, M12 Steel is the right choice. Even if zones 1 and 2 are only high-pressure cleaned for short periods of time, this fully molded cordset made of stainless steel is the 'unbreakable' alternative. This stainless steel housing enables it to outperform the protection standards of IP69K.

- Permanently IP69K protected
- Stainless steel housing and parts made of V4A (1.4404)
- Cables made of FDA-compliant materials

RECOMMENDED FIELD OF APPLICATION

- Zones 1 and 2
- Aseptic areas (H_2O_2)
- Frequent cleaning processes
- Intensive use of cleaning agents



Description	Type no.
M12 connector, 4-pin, straight, open ends	7044-12021-yyyxxxx
M12 connector, 4-pin, angled, open ends	7044-12101-yyyxxxx
M12 socket, 4-pin, straight, open ends	7044-12221-yyyxxxx
M12 socket, 4-pin, angled, open ends	7044-12341-yyyxxxx
M12 socket, 4-pin, with LED, straight, open ends	7044-12292-yyyxxxx

Length xxxx in cm

Cables yyy: TPE-S – 336
PVC – 214

COMPACT

M12 F&B PLUS

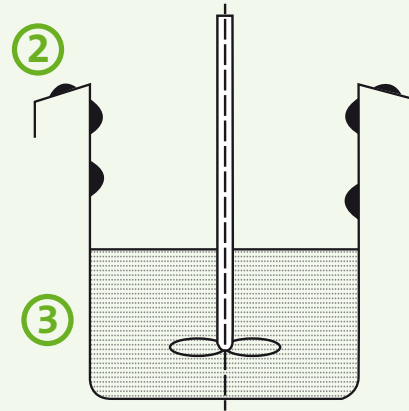
The requirements defining cleanability, in regards to materials and design are not as stringent in downstream processes in the dry zone as they are in zones 1 and 2 because there isn't any direct contact possible with food. Here, M12 F&B Plus is the best solution.



- Innovative gasket and radial seal
- Integrated locking mechanism
- Tight seal even before correct torque is reached
- Permanent seal acc. to IP66K, even during shock and vibration

RECOMMENDED FIELD OF APPLICATION

- Zones 2 and 3
- Normal cleaning processes
- Low use of cleaning agents



This is only a small selection from our wide range of products

Description	Type no.
M12 connector, 4-pin, straight, open ends	7014-12021-214xxxx
M12 connector, 4-pin, angled, open ends	7014-12101-214xxxx
M12 socket, 4-pin, straight, open ends	7014-12221-214xxxx
M12 socket, 4-pin, angled, open ends	7014-12341-214xxxx
M12 socket, 4-pin, with LED, straight, open ends	7014-12292-214xxxx

Length xxxx in cm, all cables made of PVC



The provided information has been compiled with utmost care. Liability for the correctness, completeness and topicality of the information is restricted to gross negligence. Art. No. 9871254